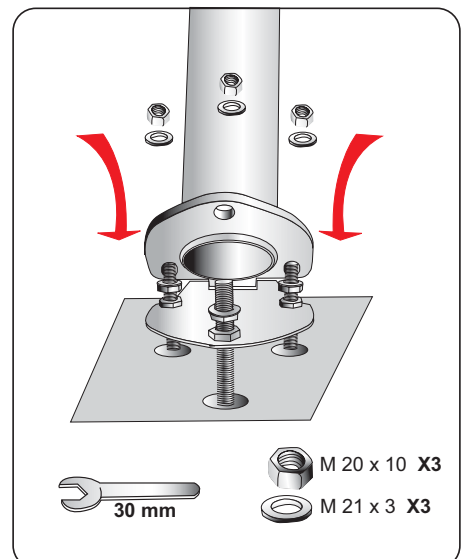
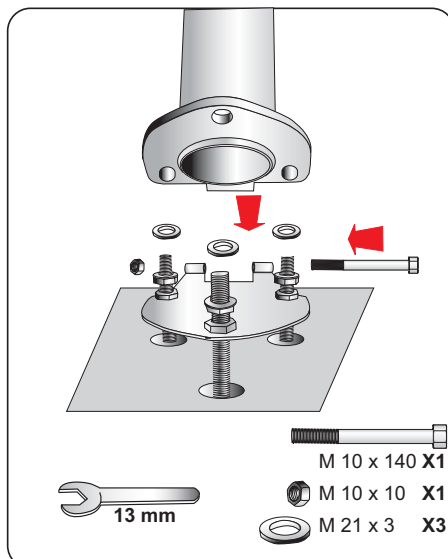
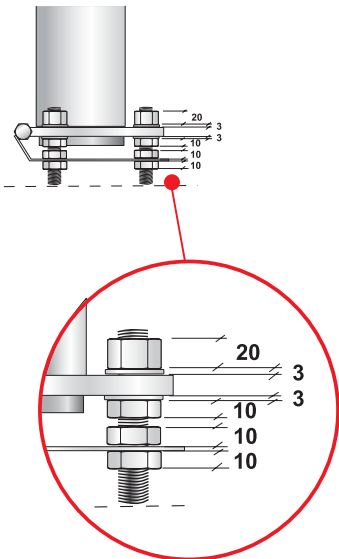
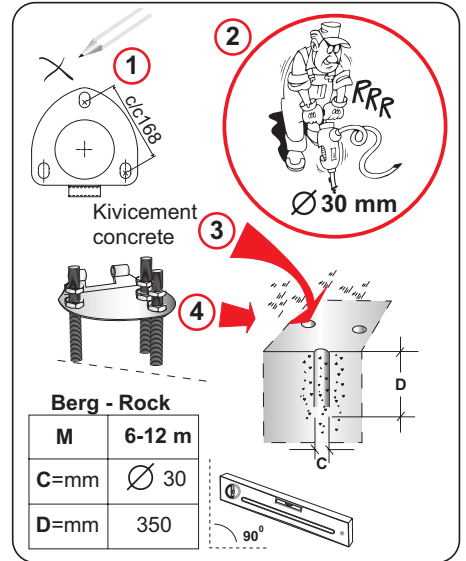
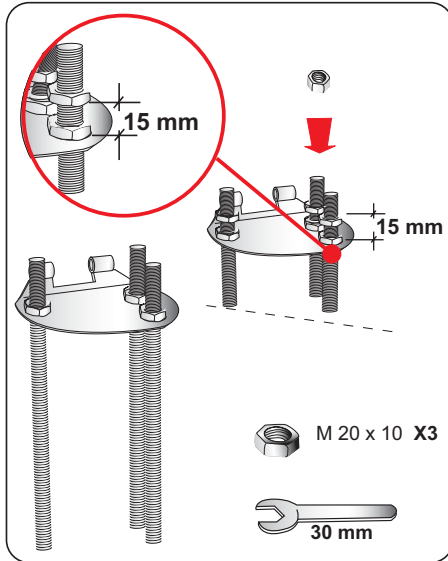
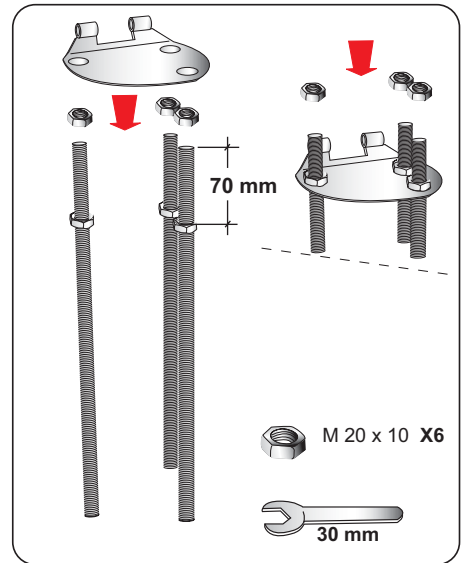
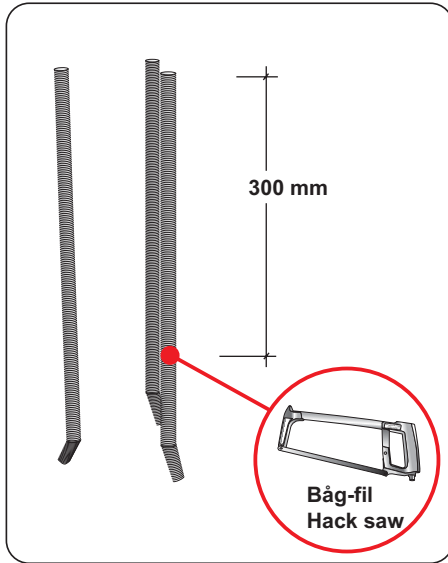
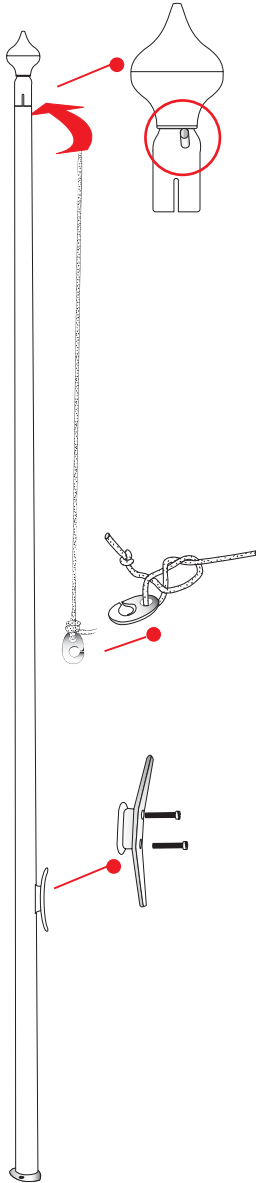
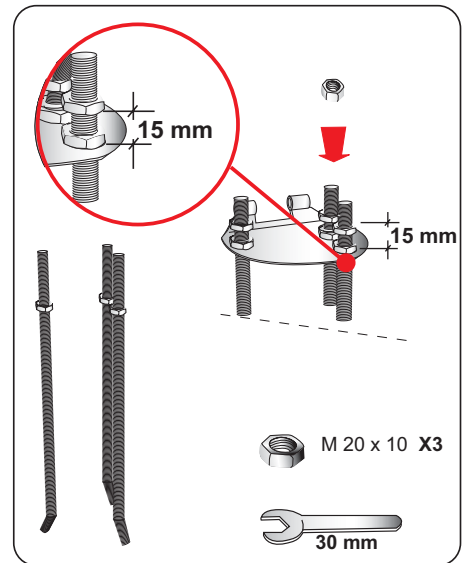
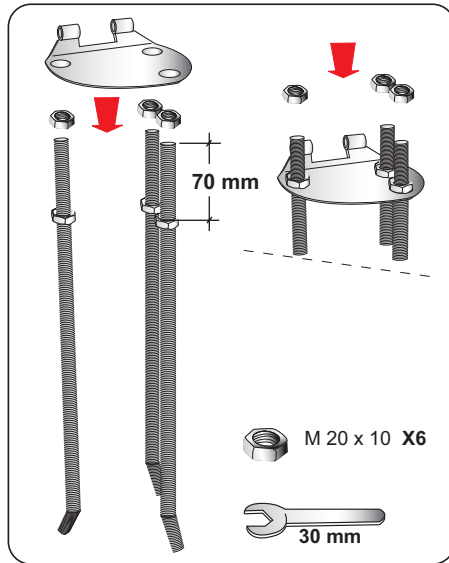
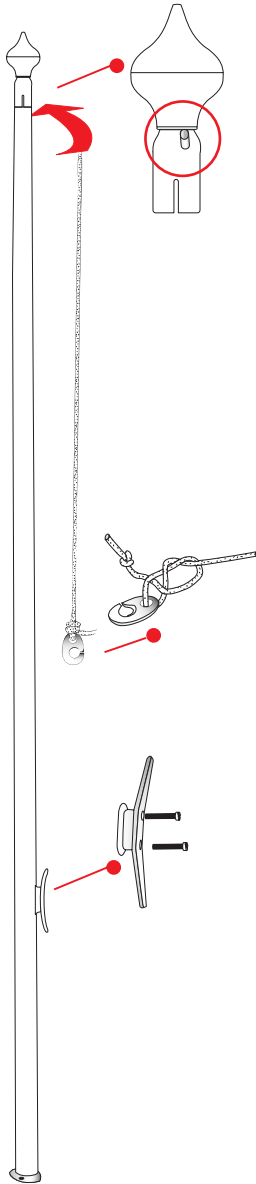


### Nordic



### Nordic



1

2

3

4

Betong concrete

90°

2-300 mm

A

B

Ø 300-400 mm

A

**Mark - Ground**

M	6-8 m	9 m	10 m	12 m
A= mm	300	300	400	400
B= mm	800	900	1000	1200

